

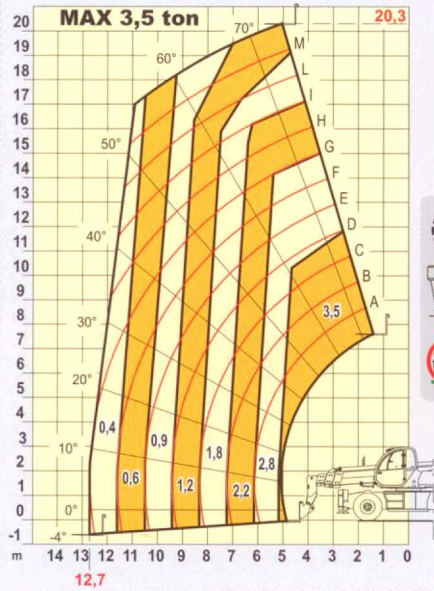
# Pegasus

45.21

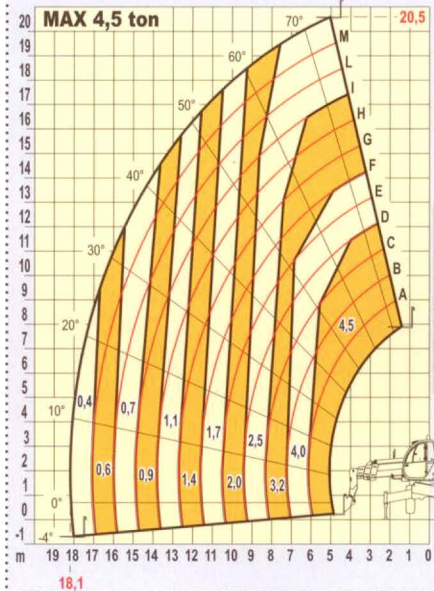


*macchine edili ed agricole*  
**d DIECI**  
S.r.l.

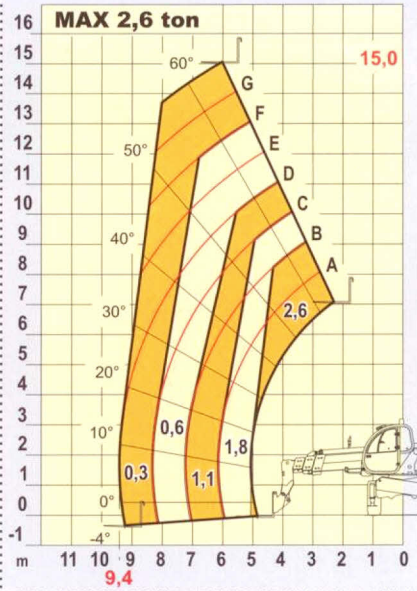
# Pegasus 45.21



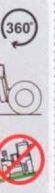
AXB1369/12



AXB1369/1



AXB1369



## PERFORMANCES

Maximum capacity:	4.500 kg
Capacity at maximum height on stabilizers:	2.500 kg
Capacity at maximum height on tyres:	1.200 kg
Maximum capacity boom on stabilizers:	400 kg
Maximum capacity boom on tyres:	400 kg
Maximum lifting height on stabilizers:	20,50 m
Maximum lifting height on tyres:	20,30 m
Maximum horizontal boom extension:	18,10 m
Boom at maximum height:	2,50 m
Angle of fork arching:	134°
Tearing force:	5.700 daN
Towing force:	9.400 daN
Maximum slope for overtaking:	40 %
Total empty weight:	16.700 kg
Max speed:	40 km/h



## ENGINE

DEUTZ BF4M2012C - TA - 103 kW	
Maximum power:	103 kW (141 cv) a 2500 rpm
Operating principle:	four-stroke engine, diesel
Cylinders number and layout:	4, vertical in line
Displacement:	4038 cm <sup>3</sup> -Turbo compressor aftercooler
Cooling system:	liquid



## REFUELLING (litre)

Hydraulic circuit:	255
Fuel tank:	126



## STANDARD DEVICES

Hydraulic movements with Danfoss proportional distributor.  
 Anti-tipping device with block for hazardous movements.  
 Continuous turret rotation over 360°.  
 Oscillation block on rear axle.  
 Hydraulic socket for possible accessories on boom head.  
 Closed soundproof homologated cab FOPS, with heating.  
 Stabilizers.



## TYRES

Tyres: 18-R22,5"



## OPTIONAL AND ACCESSORIES

Optional and Accessories: see the relevant catalogue



## TRANSMISSION

Transmission: Hydrostatic with variable capacity pump  
 Hydraulic engine: with automatic change  
 Gear reversing: Electro - hydraulic  
 Inching pedal for controlled forward movement  
 2 speed power steering.



## HYDRAULIC CIRCUIT

Gear pump with capacity at speed: 135 lt/1'  
 Max working pressure: 230 bar  
 Distributor controls with joystick: 5 in 1 proportional



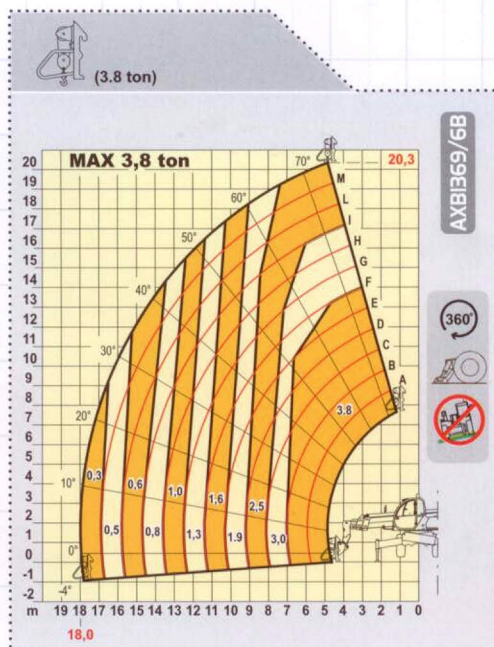
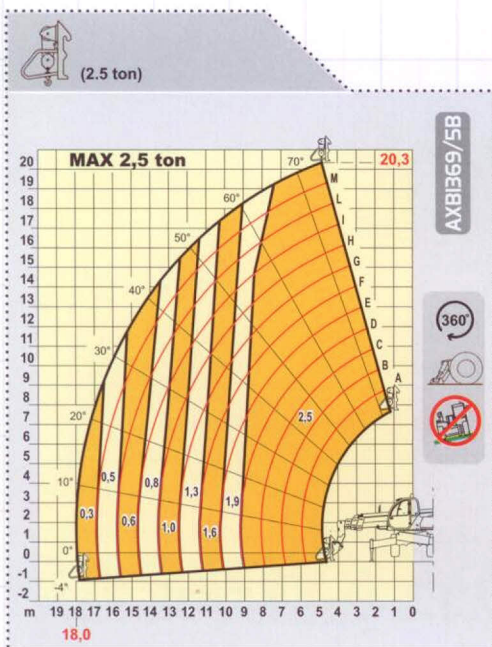
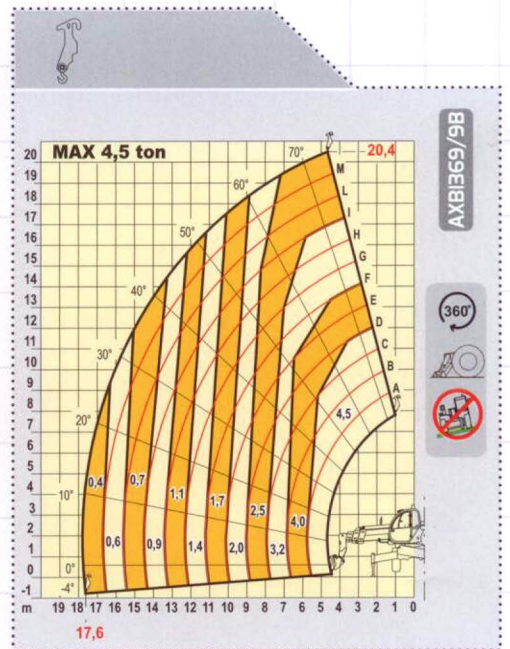
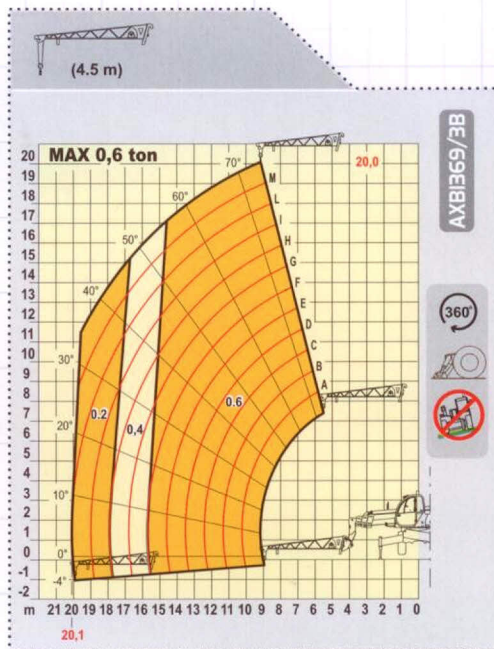
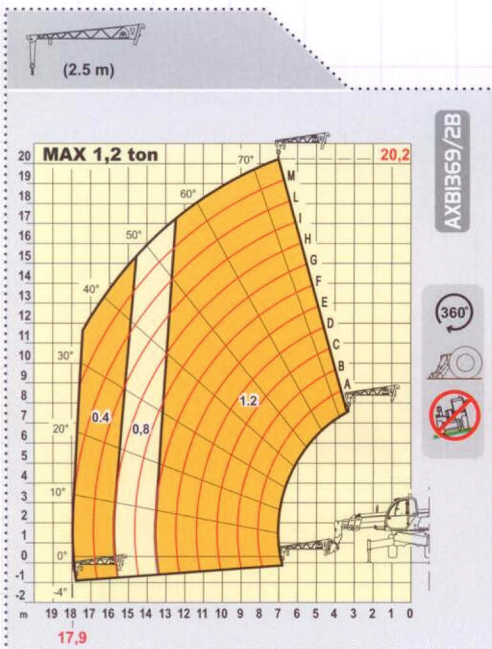
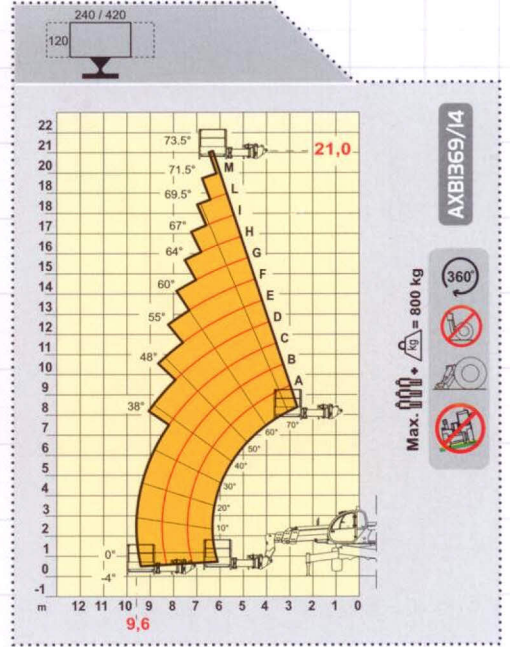
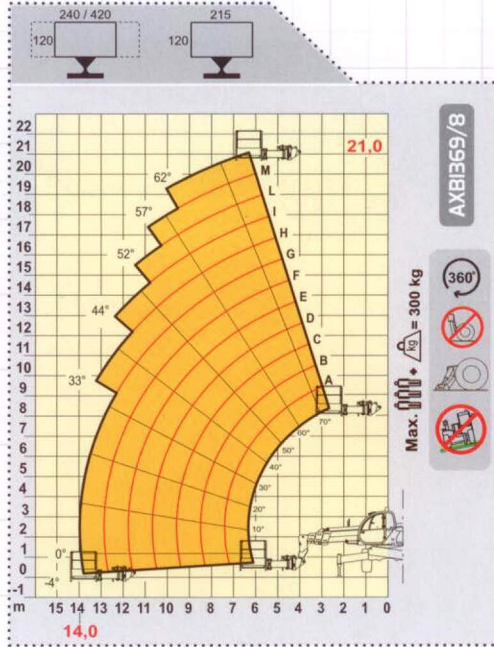
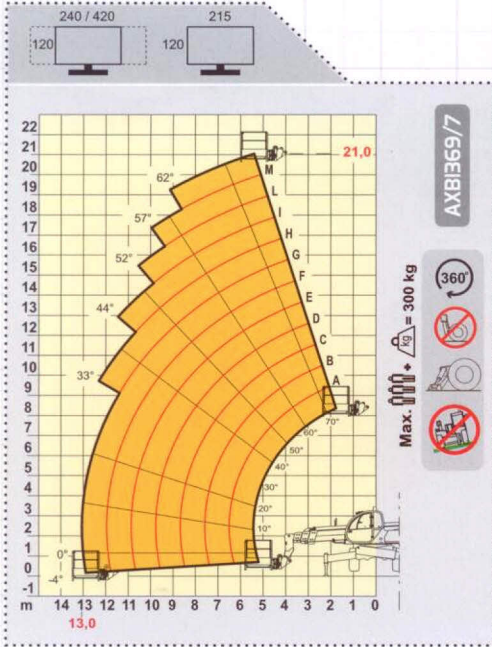
## DIFFERENTIAL AXLES

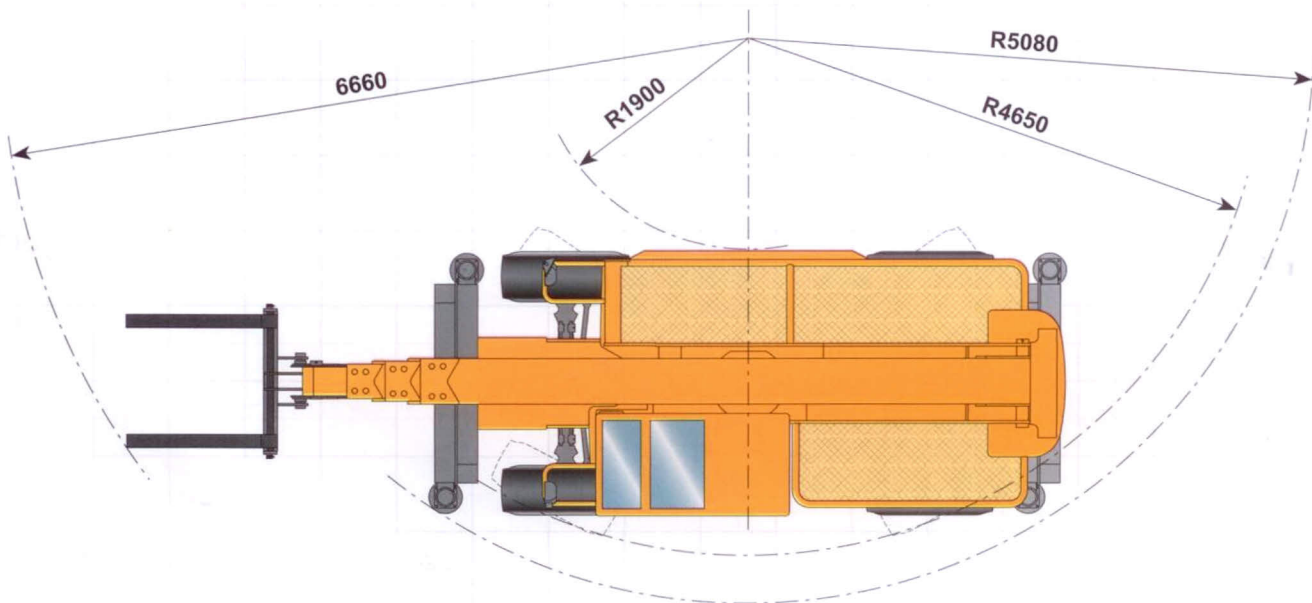
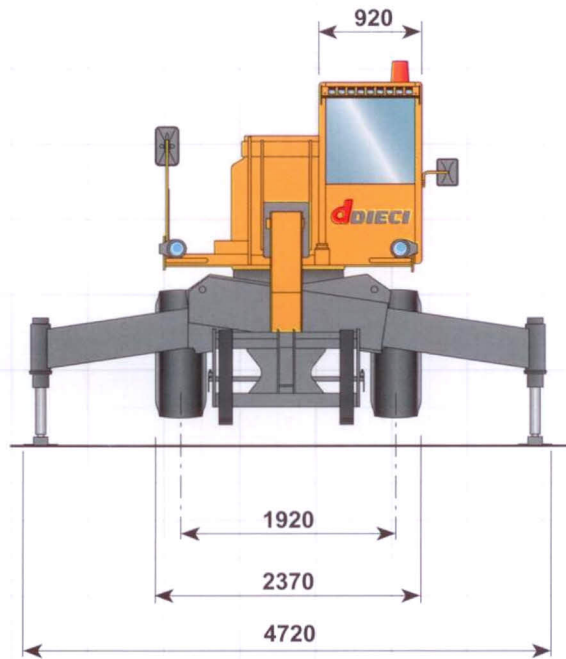
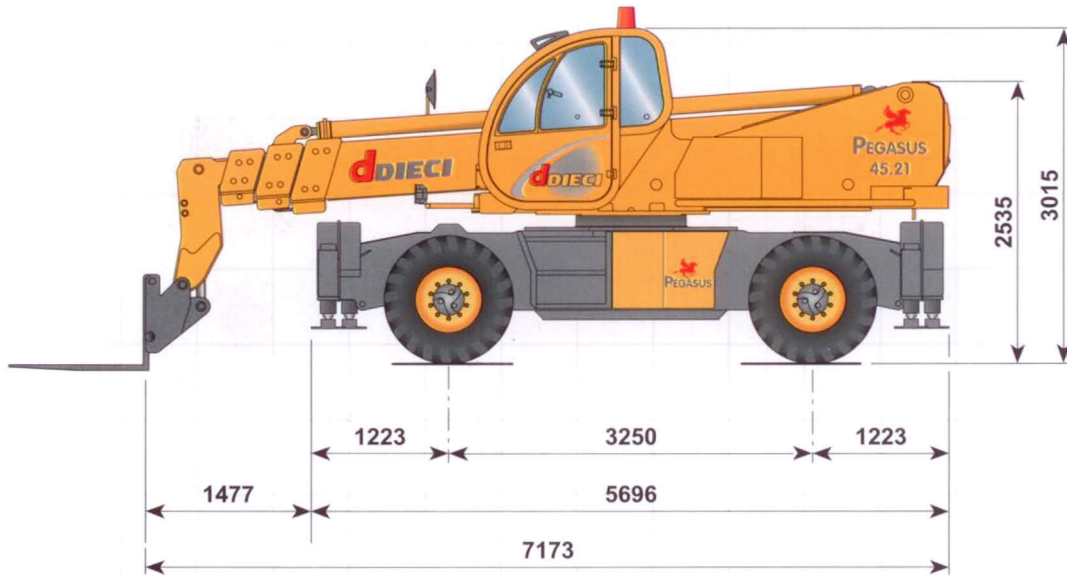
Steering axles: 2, with epicycloidal reduction gears  
 Type of steering: 4 wheels / transversal / 2 wheels  
 Front axle: levelling  
 Rear axle: oscillating (possibility to block it)  
 Service brake: oil bath on 4 wheels double hydraulic circuit, parking brake  
 Negative parking brake.

## SYMBOLS KEY

L/L <sup>1</sup> Extendable front Basket	L/L <sup>1</sup> Extendable three-sided basket	(x.x m) Jib (Measurements)	(x.x m) Jib (Measurements)	360° Continuous rotation	0° Front position	 Stabilizers raised	 DO NOT maneuver if the machine is NOT levelled
L Front fixed basket	L Three-sided fixed basket	(x.x ton) Winch (Capacity)	 Fork-carrying plate hook	400° Non-continuous rotation	 Do not work on tyres	 Stabilizers lowered	

# Equipments





I dati contenuti in questo stampato sono forniti a titolo indicativo; i modelli descritti sono suscettibili di modifiche, senza preavviso, da parte del costruttore, disegni e fotografie possono riferirsi a equipaggiamenti opzionali o ad allestimenti destinati ad altri paesi. Per ogni altra informazione, rivolgersi alla sede DIECI all'indirizzo a fondo scheda.  
 The information contained in the present publication are only intended as an indication; the models described may be modified, without notice, by the manufacturer, drawings and photographs may refer to optional equipment or to particular specifications for other countries. For any further information, please contact DIECI headquarters at the address given below.

(Cod. AXE3092 - 3/2006 v0)

DIECI S.r.l.  
 Via L. Landini, n°19 - 42027 Montecchio Emilia - (Reggio Emilia) ITALY  
 Tel. +39 0522 869611 - Fax +39 0522 869791  
 web: www.dieci.com - E-mail: mailbox@dieci.com

macchine edili ed agricole  
**d DIECI**